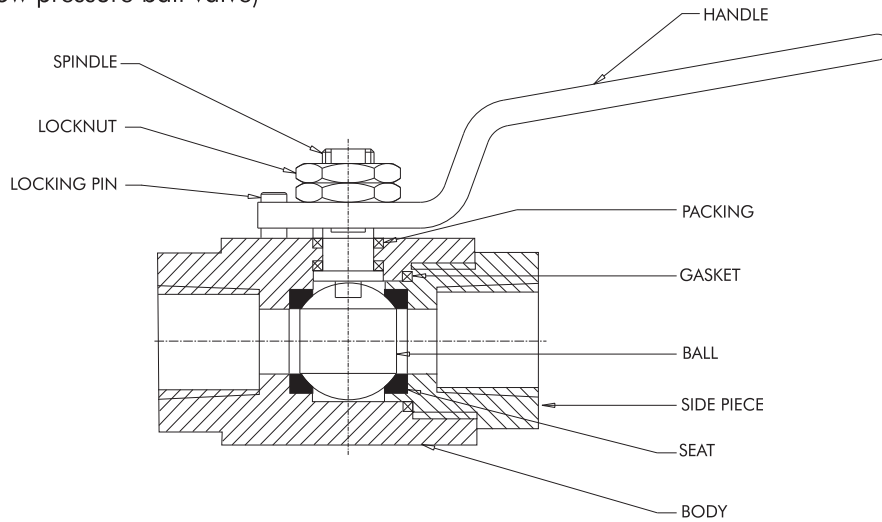


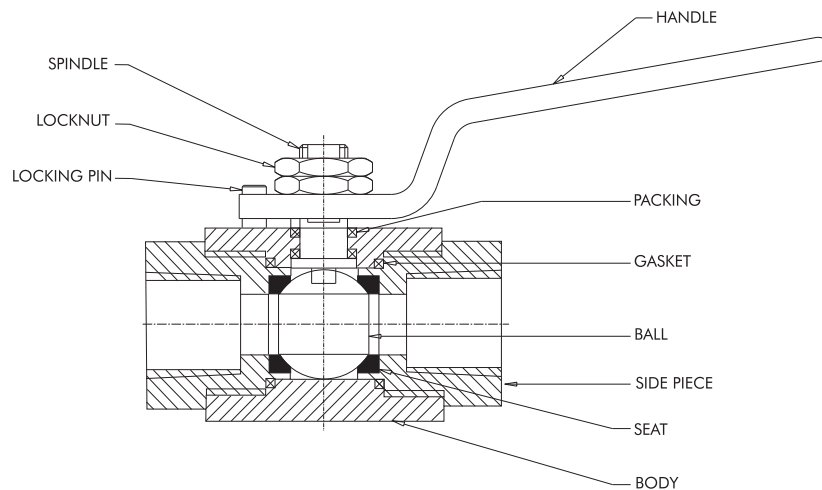
## BALL VALVES

Aptek offers 2 categories of ball valves for low pressure application & high pressure applications

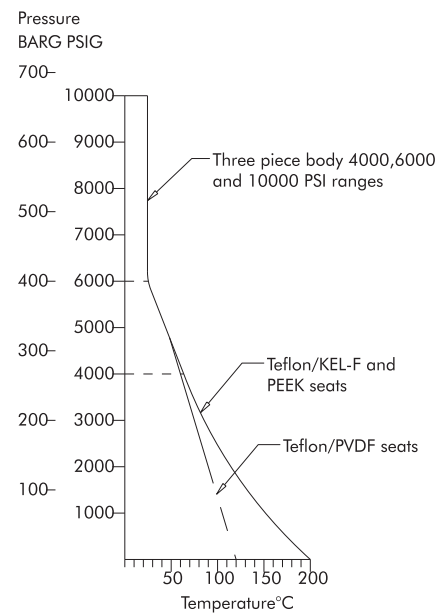
### ABV 1 (Low pressure ball valve)



### ABV 2 (High pressure ball valve)



Pressure and temperature chart for ball valves



## Low pressure ball valves:



### ABV - 1

This valves are safe , reliable & economical option for low pressure application.

Sizes : 1/4" to 1 "

End connections : Screwed, socket weld, compression tube fitting ends

Material : CS, SS 316, SS 304, SS 316L

Maximum working pressure : 2000 PSI

(See Pressure temperature chart on page no : 27)

#### ABV 1 FF

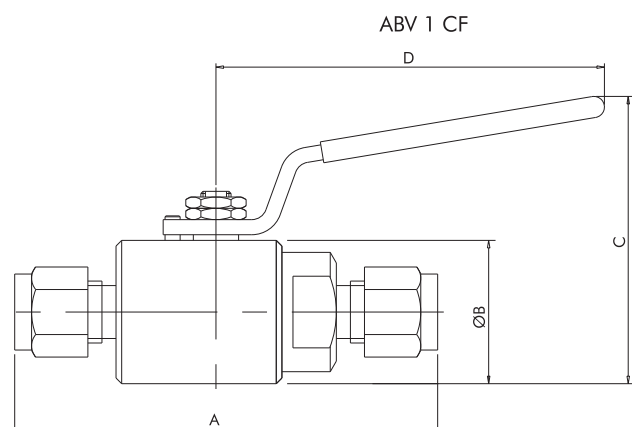
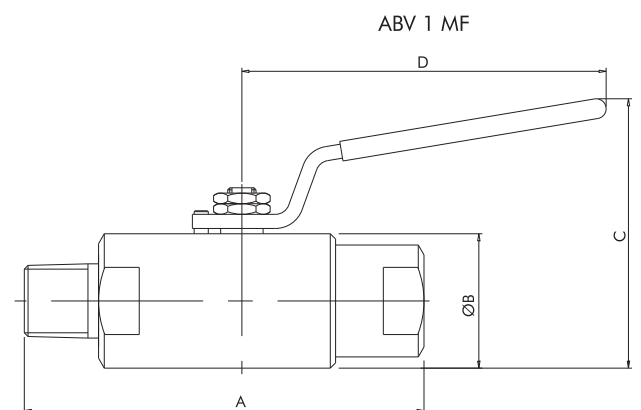
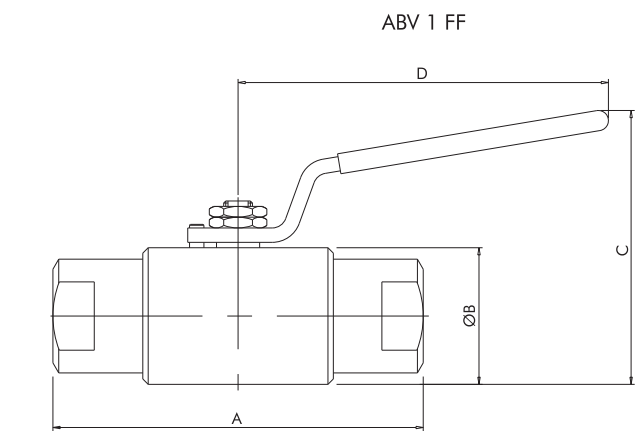
SIZE	A	ØB	C	D	WEIGHT (Kg.)
1/4"	60	28	45	85	0.30
3/8"	65	32	50	85	0.40
1/2"	75	38	65	120	0.50
3/4"	85	42	75	135	0.75
1"	95	50	85	135	0.90

#### ABV 1 MF

SIZE	A	ØB	C	D	WEIGHT (Kg.)
1/4"	70	28	45	85	0.30
3/8"	75	32	50	85	0.40
1/2"	85	38	65	120	0.50
3/4"	95	42	75	135	0.75
1"	105	50	85	135	0.90

#### ABV 1 CF

SIZE	A	ØB	C	D	WEIGHT (Kg.)
1/4"	70	28	45	85	0.30
3/8"	75	32	50	85	0.40
1/2"	85	38	65	120	0.50
3/4"	95	42	75	135	0.75
1"	105	50	85	135	0.90





## High pressure ball valves

### ABV - 2

This range offers a reliable option for the high pressure application. These valves are recommended for the use in Oil, gas, petrochemicals where the long life is required.

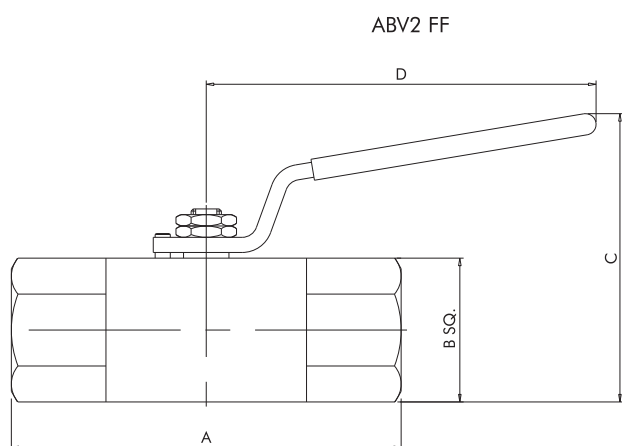
Sizes : 1/4" to 1 "

End connections: Screwed, socket weld,

Material : CS, SS 316, SS 304, SS 316L

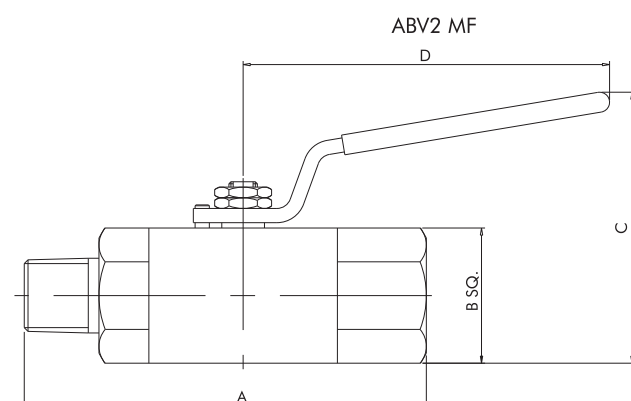
Maximum working pressure : Up to 10000 PSI

(See Pressure temperature chart on page no : 27)



### ABV 2 FF

SIZE	A	B SQ.	C	D	WEIGHT(kg.)
1/4"	60	32	63	84	0.4
3/8"	60	32	63	84	0.4
1/2"	103	38	76	103	1.2
3/4"	123	50	89	103	2.0
1"	123	50	89	103	1.9



### ABV 2 MF

SIZE	A	B SQ.	C	D	WEIGHT(kg.)
1/4"	75	32	63	84	0.4
3/8"	76	32	63	84	0.4
1/2"	114	38	76	103	1.2
3/4"	141	50	89	103	2.0
1"	144	50	89	103	1.9