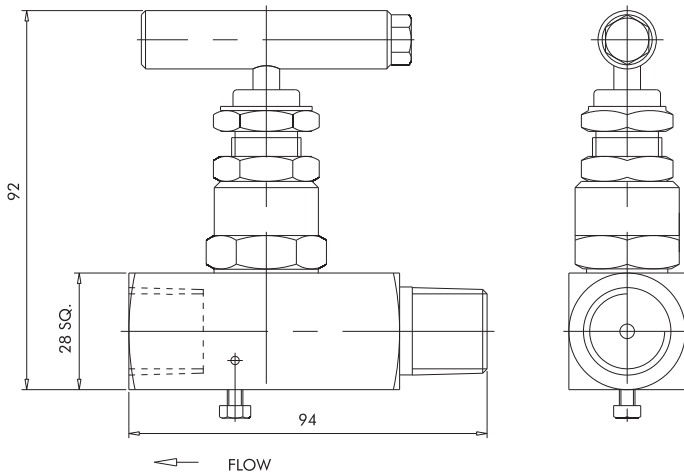


GAUGE VALVES

These valves are specifically designed to use for safe pressure gauge installation. The bleed or vent screw is used to vent the pressure with out opening the connections.

Gauge bleed valve

AGV 1



Weight : 0.6kg.



STANDARD SPECIFICATIONS :

Maximum Working Pressure : 400 bar/6000 PSI

Maximum Temperature : 240° C

Material : Stainless steel/Carbon steel

Gland Packing : PTFE

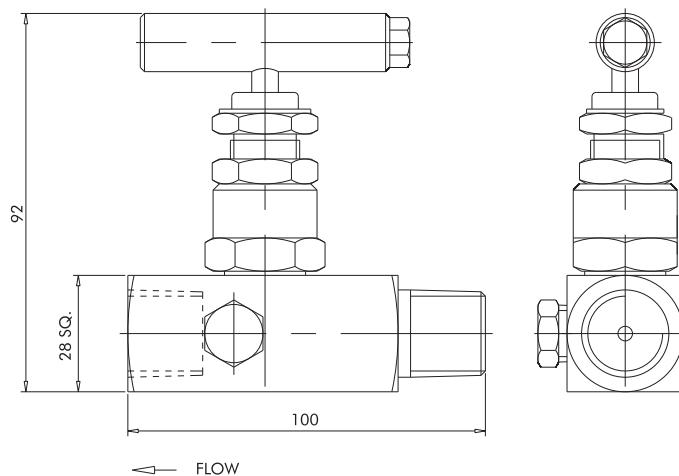
Inlet Connection : 1/2" NPT

Outlet Connection : 1/2" NPT

(See Pressure temperature chart on page no : 4)

Gauge vent valve

AGV 2



Weight : 0.6kg.





Multi port gauge valve AGV 3

Multiport gauge valves facilitates different positioning of the pressure gauge or pressure switch without disturbing the main line. One 1/2" male or female inlet & three 1/2" NPTF outlets ports is the standard configuration of any multiport gauge valve.

STANDARD SPECIFICATIONS :

Maximum Working Pressure : 400 bar/6000 PSI

Maximum Temperature : 240° C

Material : Stainless steel/Carbon steel

Gland Packing : PTFE

(See Pressure temperature chart on page no : 4)

Weight : 0.95kg.

Forged body gauge valve AGV 4



Weight : 0.50kg.

