

NEEDLE VALVE



ANV 1

These needle valves are an ideal option for isolation or throttling application. The self centering non rotating stem ensures perfect seating. These rigid valves are designed for repetitive bubble tight shut off, easy maintenance & long trouble free life.

STANDARD SPECIFICATIONS :

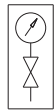
Maximum Working Pressure : 400 bar/6000 PSI

Maximum Temperature : 240° C

Material : Stainless steel/Carbon steel

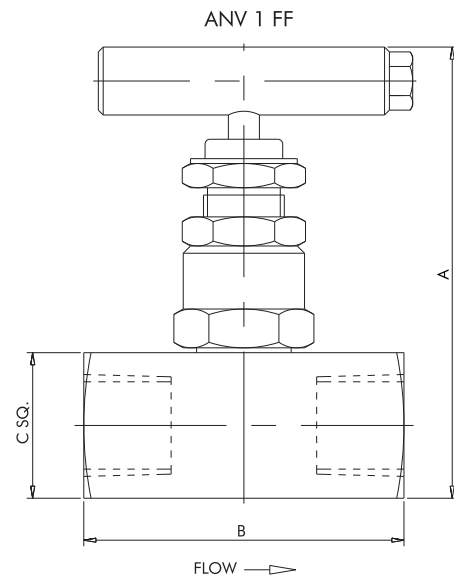
Gland Packing : PTFE

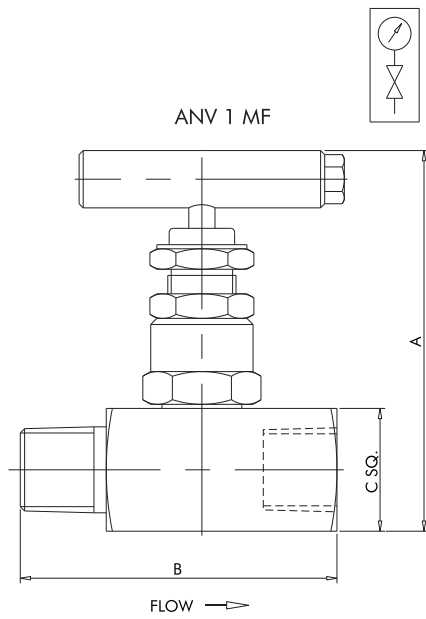
(See Pressure temperature chart on page no : 4)



ANV 1 FF

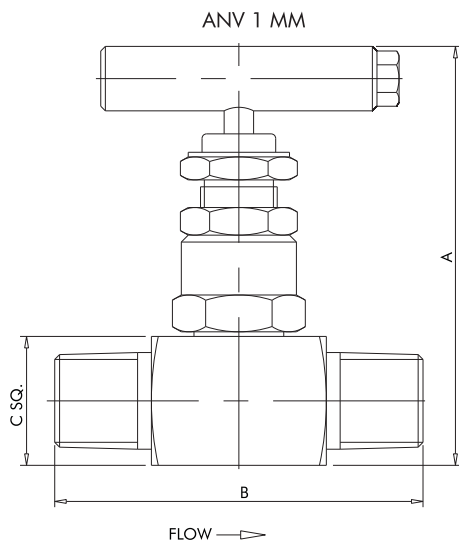
SIZE	A	B	C SQ	WEIGHT(kg.)
1/4"	93	55	25	0.4
3/8"	93	55	25	0.4
1/2"	99	66	28	0.5
3/4"	109	70	38	0.8
1"	117	80	45	1.3





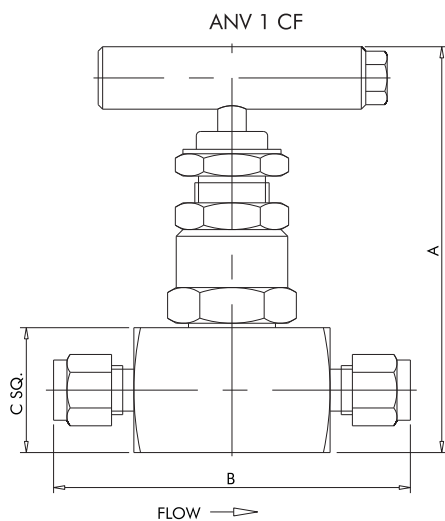
ANV 1 MF

SIZE	A	B	C SQ	WEIGHT(kg.)
1/4"	93	65	25	0.45
3/8"	93	65	25	0.45
1/2"	99	76	28	0.56
3/4"	109	80	38	0.9
1"	117	95	45	1.4



ANV 1 MM

SIZE	A	B	C SQ	WEIGHT(kg.)
1/4"	93	65	25	0.45
3/8"	93	65	25	0.45
1/2"	99	76	28	0.56
3/4"	109	80	38	0.9
1"	117	95	45	1.4



ANV 1 CF

SIZE	A	B	C SQ	WEIGHT(kg.)
1/4"	93	65	25	0.3
3/8"	93	65	25	0.4
1/2"	93	76	28	0.4
6mm	93	65	25	0.3
10mm	93	65	25	0.4
12mm	93	76	28	0.4

Note : For any other material & size combinations, kindly contact sales department



ANV 2

These valves provide an economical yet a reliable option. The bonnet assembly has a compact design with one piece rotating stem. Which is V tipped for accurate flow control.

STANDARD SPECIFICATIONS :

Maximum Working Pressure : 400 bar/6000 PSI

Maximum Temperature : 240° C

Material : Stainless steel/Carbon steel

Gland Packing : PTFE

(See Pressure temperature chart on page no : 4)

ANV 2 FF

SIZE	A	B	C SQ	WEIGHT(kg.)
1/4"	90	55	25	0.4
3/8"	90	55	25	0.4
1/2"	93	66	28	0.5
3/4"	100	70	38	0.8
1"	110	80	45	1.4

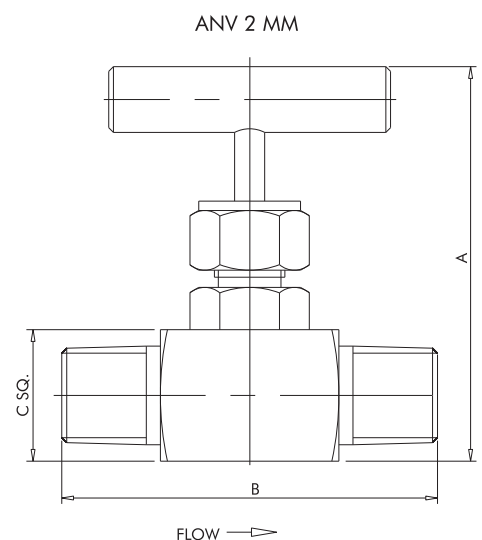
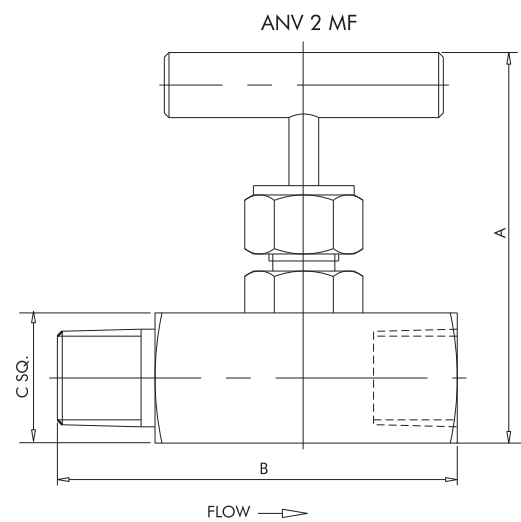
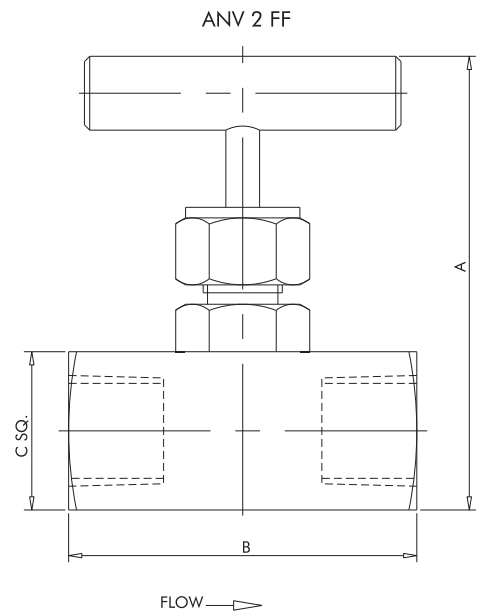
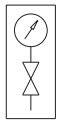
ANV 2 MF

SIZE	A	B	C SQ	WEIGHT(kg.)
1/4"	90	65	25	0.45
3/8"	90	65	25	0.45
1/2"	93	76	28	0.56
3/4"	100	80	38	0.9
1"	110	95	45	1.5

ANV 2 MM

SIZE	A	B	C SQ	WEIGHT(kg.)
1/4"	90	65	25	0.45
3/8"	90	65	25	0.45
1/2"	93	76	28	0.56
3/4"	100	80	38	0.9
1"	110	95	45	1.4

Note : For any other material & size combinations, kindly contact sales department





ANV 3

These valves provide a 90 deg. angular end connections for specific applications. The other features of this valves are equivalent to ANV 1

STANDARD SPECIFICATIONS :

Maximum Working Pressure : 400 bar/6000 PSI

Maximum Temperature : 240° C

Material : Stainless steel/Carbon steel

Gland Packing : PTFE

(See Pressure temperature chart on page no : 4)

ANV 3 FF

SIZE	A	B	C	D	WEIGHT(kg.)
1/4"	76	38	25	101	0.45
1/2"	76	50	28	114	0.575

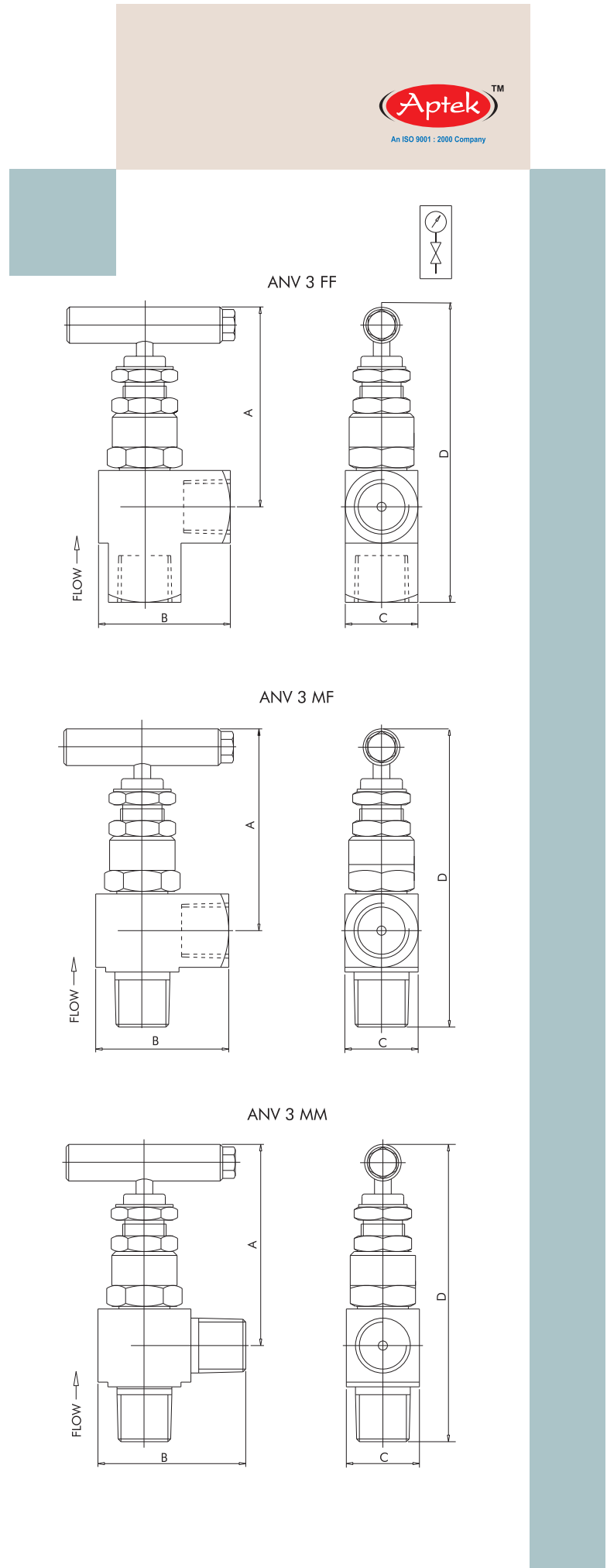
ANV 3 MF

SIZE	A	B	C	D	WEIGHT(kg.)
1/4"	76	38	25	101	0.45
1/2"	76	50	28	114	0.575

ANV 3 MM

SIZE	A	B	C	D	WEIGHT(kg.)
1/4"	76	38	25	101	0.45
1/2"	76	50	28	114	0.575

Note : For any other material & size combinations, kindly contact sales department





ANV 4

This type of valves are designed for heavy duty applications. These valves are widely used in the high pressure testing equipments. Other design features similar to ANV 1

STANDARD SPECIFICATIONS :

Maximum Working Pressure : 700 bar/10000 PSI

Maximum Temperature : 240° C

Material : Stainless steel/Carbon steel

Gland Packing : PTFE

(See Pressure temperature chart on page no : 4)

Weight : 0.8kg.

