

## ■ PRESSURE GAUGE ACCESSORIES

Aptek offers a wide range of pressure gauge accessories to suit the different instrumentation applications

### Gauge cocks :

These cocks are used with the pressure gauge for Isolation purpose.



### STANDARD SPECIFICATIONS :

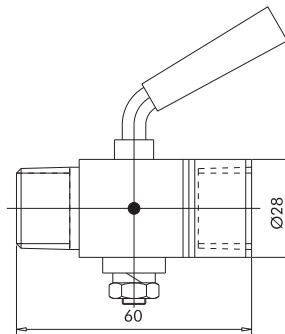
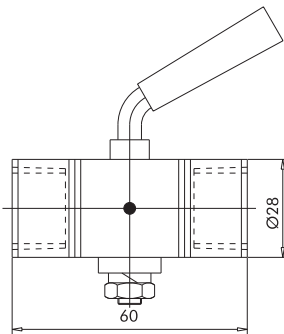
Sizes : 1/4" to 1/2"

Material : SS316 /SS 304

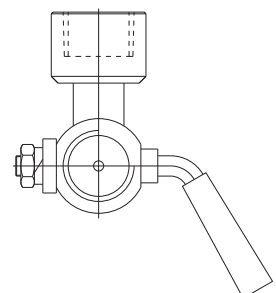
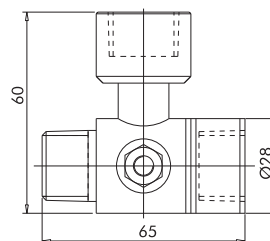
Seal : PTFE

Maximum working pressure : 1500 PSI

GAUGE COCK 2 WAY



GAUGE COCK 3 WAY



**Over pressure protectors:**

As the name indicates, this device saves instruments from the over pressure. Gaugesavers close at a set point protects instruments from over load.

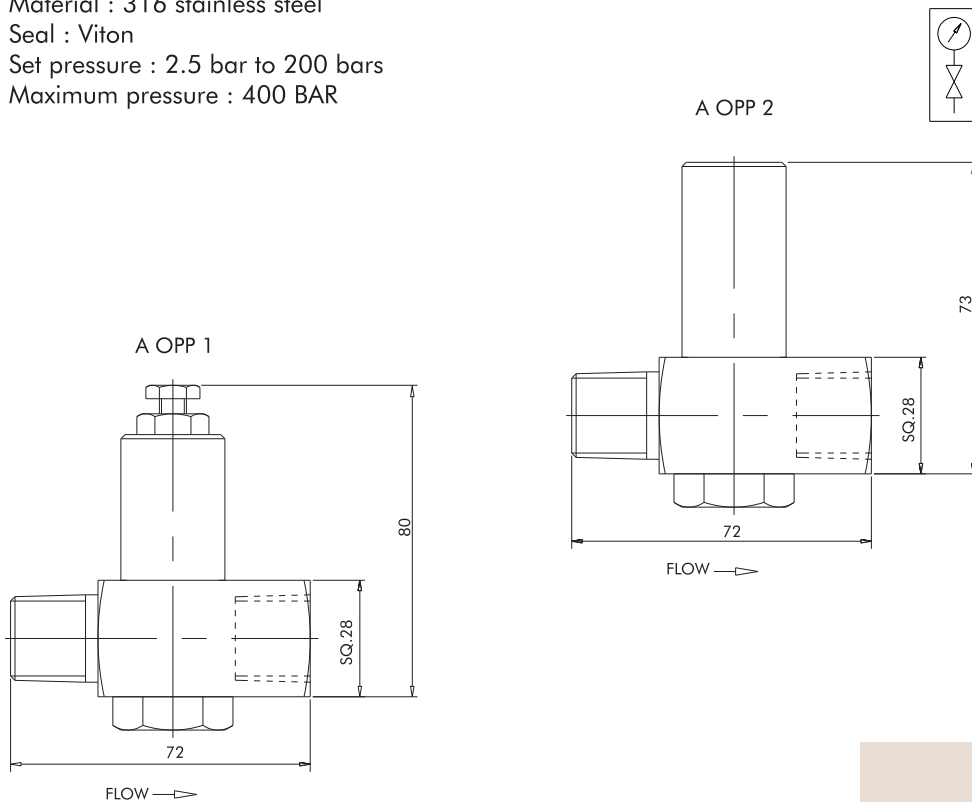


**STANDARD SPECIFICATIONS**

MODEL AOPP 1  
Size : 1/2" NPT M X F  
Material : 316 stainless steel  
Seal : Viton  
Set pressure : 0.6 bar to 2 bars  
Maximum pressure : 400 BAR

**STANDARD SPECIFICATIONS**

MODEL AOPP 2  
Size : 1/2" NPT M X F  
Material : 316 stainless steel  
Seal : Viton  
Set pressure : 2.5 bar to 200 bars  
Maximum pressure : 400 BAR

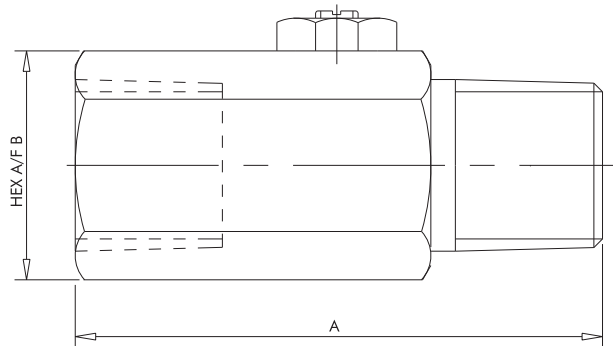


**Pressure gauge snubbers :**  
With the help of variable orifice,  
these gauge snubbers protect pressure gauges by  
reducing fluctuations



**STANDARD SPECIFICATIONS :**

Size : 1/4" to 1/2" NPT/BSP  
Material : 316 SS or 304 SS  
Seal : Viton  
Max temperature : 120 deg. C  
Max pressure : 6000 PSI



**PRESSURE GAUGE SNUBBER**

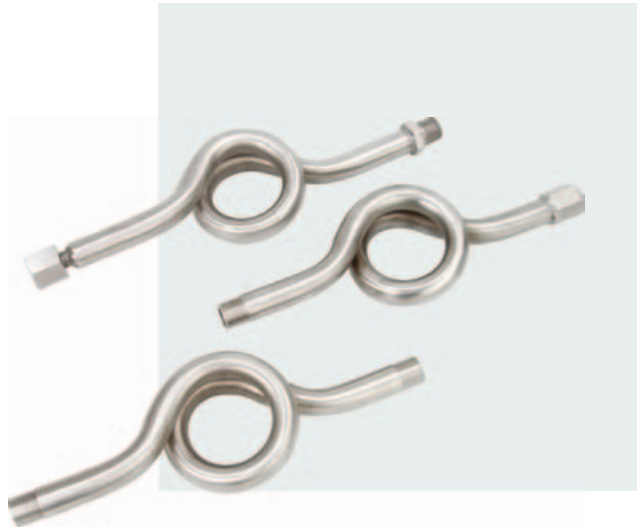
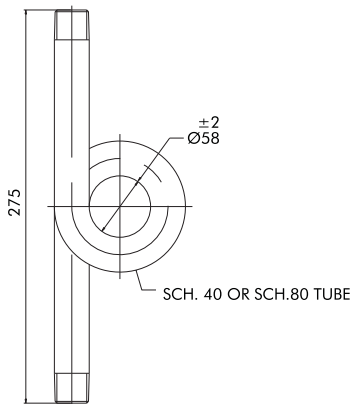
SIZE	A	B
1/4"NPT	55	25
3/8"NPT	55	25
1/2"NPT	63	28
G1/2"	63	28

**Pressure gauge syphons :**

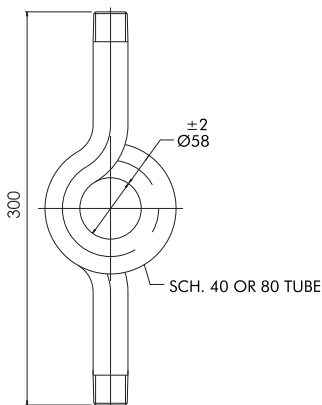
The syphon are used to protect the pressure gauges from the steam or high temperature fluid. Syphons reduces the temperature of the process fluid by disipating the heat. It also helps to reduce the line surges fluctuations

**Material : SS 316, SS 316 L, SS 304 , C.S**

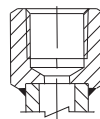
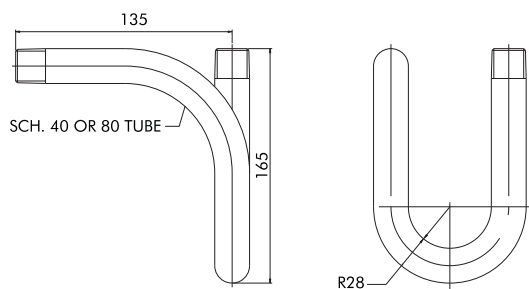
**PIGTAIL TYPE SYPHON**



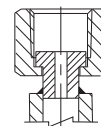
**COIL TYPE SYPHON**



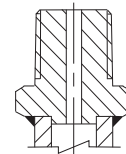
**'U' TYPE SYPHON**



Fixed Female adapter



Swivel Female adapter



Male adapter